

ANTEO S.p.A. Cap. Soc. € 500.000 int. Vers.  
 Via Nobili n° 68/70 - Molinella (BO) - ITALY  
 Tel. 051-6906611 - Fax 051-6906604  
 http://www.anteo.com - anteo@anteo.com



A WORLD CLASS COMPANY

ORDER DATE ...../...../.....

AGENT .....

**COLUMN LIFTS ORDER FORM**

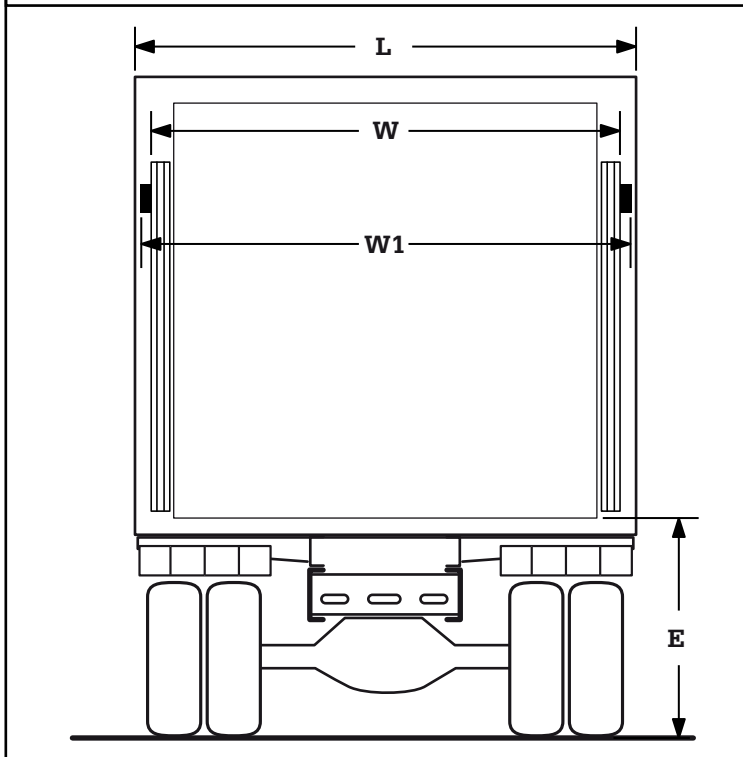
<b>CUSTOMER :</b> <b>INVOICE ADDRESS :</b>  <b>COMPANY</b> .....  <b>ADDRESS</b> .....  <b>CUSTOMER REF</b> .....	<b>DELIVERY ADDRESS :</b>  <b>COMPANY</b> .....  <b>ADDRESS</b> .....  <b>CITY</b> .....  <b>POSTCODE</b> .....  <b>TEL.</b> .....  <b>FAX</b> .....
--	--

ORDER No : .....	Quantity .....	Price (each) .....	Date required : .....
------------------	----------------	--------------------	-----------------------

**COMMENTS/REMARKS :**

<b>TAIL LIFT MODEL</b>  <input type="checkbox"/> <b>F3CO 05</b> (500 Kg)  <input type="checkbox"/> <b>F3CO 10</b> (1000 Kg)	<b>PLATFORM DEPTH</b> .....	<input type="checkbox"/> <b>TRUCK</b> <input type="checkbox"/> <b>TRAILER</b>	<input type="checkbox"/> <b>DROP SIDE</b> <input type="checkbox"/> <b>CURTAIN SIDE</b>	<input type="checkbox"/> <b>BOX</b> <input type="checkbox"/> <b>DEMOUNT</b>
		<input type="checkbox"/> 12 V <input type="checkbox"/> 24 V	<b>REAR CLOSURE :</b> <input type="checkbox"/> <b>DOORS</b> <input type="checkbox"/> <b>SHUTTER</b>	

<input type="checkbox"/> <b>WANDER LEAD CONTROL</b> <input type="checkbox"/> <b>ROLL STOPS IN PLATFORM SURFACE</b> <input type="checkbox"/> <b>FRONT HINGED RAMP/STOP</b> <input type="checkbox"/> <b>SIDE HINGED RAMP/STOP</b> <input type="checkbox"/> <b>HOOK INSIDE HINGED PLATE</b> <input type="checkbox"/> <b>FIXED LEADING EDGE</b> <input type="checkbox"/> <b>DROP IN SIDE SAFETY GATE</b>	<input type="checkbox"/> <b>FLUSH PANEL CONTROL STATION</b> <input type="checkbox"/> <b>TRAILER WIRING KIT</b> <input type="checkbox"/> <b>FIXED INTERNAL CONTROL</b> <input type="checkbox"/> <b>175 AMP ANDERSON CONNECTOR</b> <input type="checkbox"/> <b>CABLEFORM (Cow bell) CONNECTOR</b> <input type="checkbox"/> <b>BATTERY GUARD PROTECTOR</b> <input type="checkbox"/> <b>EXTRA OPTIONS: .....</b>
--	--



**E - Ground to vehicle floor height** .....

**W - Width over column** .....

**W1 = W + 28 mm (F3CO 05)**  
**W + 52 mm (F3CO 10)**

**NOTE for L (Outside width of body) :**

**Please note that total width of lift (W1) is:**

**F3CO 05 : W + 28 mm**  
**F3CO 10 : W + 52 mm**